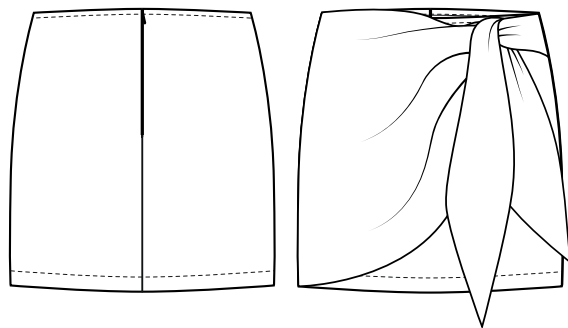


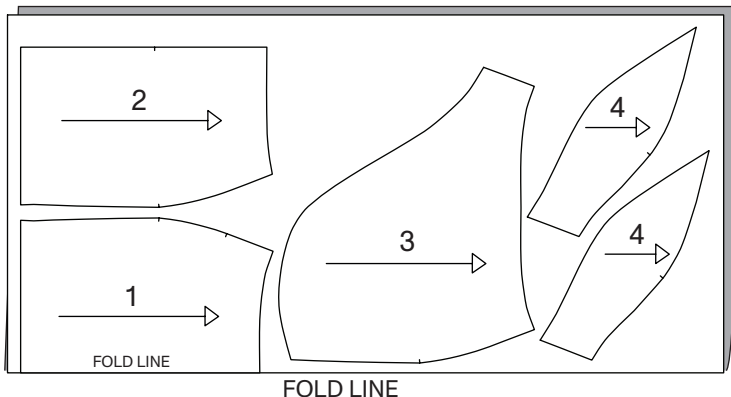
DIY2414 Evalina wrap skirt # evalinawrapskirt

Seam allowance is included on all patterns:
Hem line 2.5 cm
All other seams 1 cm



You need to cut the following parts

Part 1	Front	x 1
Part 2	Back	x 2
Part 3	Front wrap	x 2
Part 4	Tie band	x 4

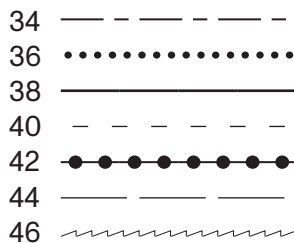


You need the following fabric and accessories

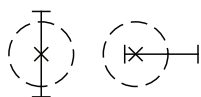
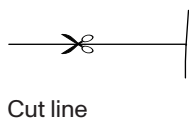
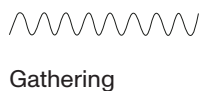
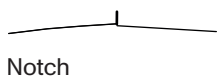
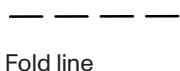
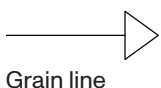
UK Size		6	8	10	12	14	16	18
EU Size		34	36	38	40	42	44	46
Fabric:	w/135 cm	135	135	135	135	135	135	135 cm

Accessories:
20 cm zipper closed end

Pick your size



Symbols you may find on your patterns



Placement of button and buttonhole

10 CM

CONTROL SQUARE:
Print this page, to check the square measurements:
If the measurements do not match, please adjust your printer settings.

CONTROL PAGE FIT:
In print preview check page margin.
Margin have to be equal on all 4 sides of each page.

10 CM

▲
Unsure how to print?
See this guide

Glue or tape your patterns together as shown in the diagram

DIY2414 Evalina wrap dress # evalinawrapdress

Seam allowance is included on all patterns.
 1/4" (6.35 mm) for all other areas 1 cm

You need to cut the following parts:

Part 1	Skirt	1
Part 2	Back	1
Part 3	Front wrap	1
Part 4	Tie band	1

You need the following fabric and accessories:

LT Size	34	36	38	40	42	44	46	48	50	52	54	with 1 cm in case
LT Code	24	26	28	30	32	34	36	38	40	42	44	with 1 cm in case
Fabric	with 1 cm seam allowance											
Accessories	20 cm elastic cord and 40 cm											

Specify your size that fits your pattern:

Self made

CONTROL FINISHES:
 To print patterns check page design through the printer to ensure all of each page.

Glue or tape your patterns together as shown in the diagram

DIY2414 PART 2 BACK INCL. SEAM ALLOWANCE

DIY2414 PART 4 TIE BAND INCL. SEAM ALLOWANCE

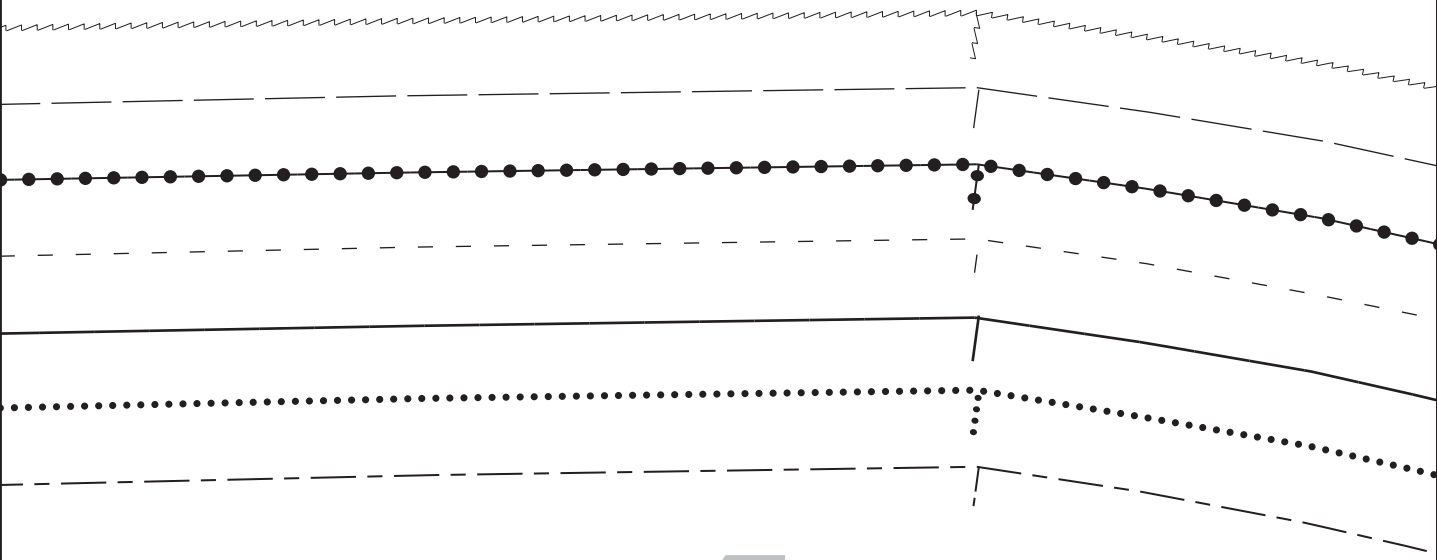
DIY2414 PART 3 FRONT WRAP INCL. SEAM ALLOWANCE

DIY2414 PART 1 FRONT INCL. SEAM ALLOWANCE

Self made

DIY2414 PART 3 FRONT WRAP INCL. SEAM ALLOWANCE

3



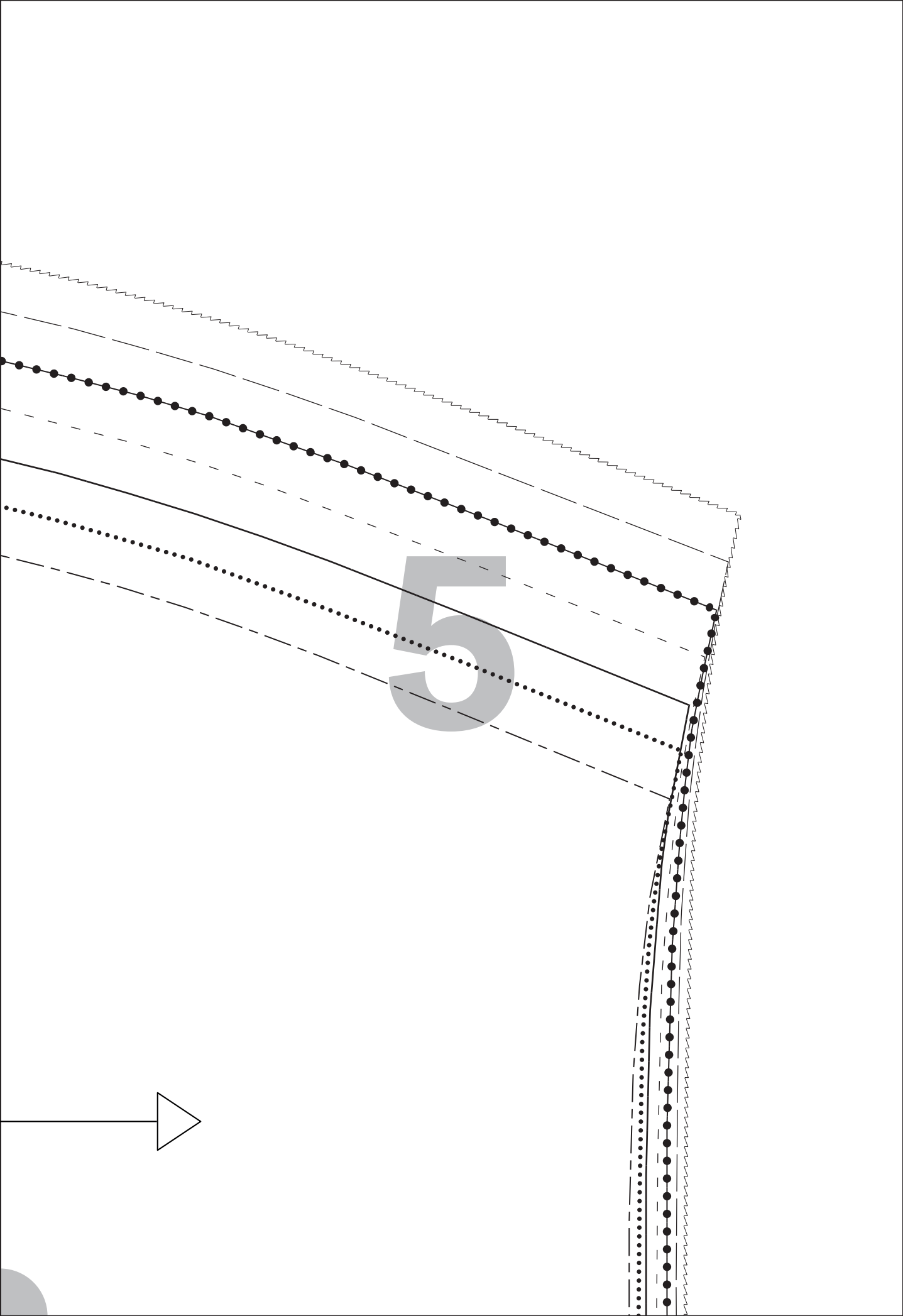
4

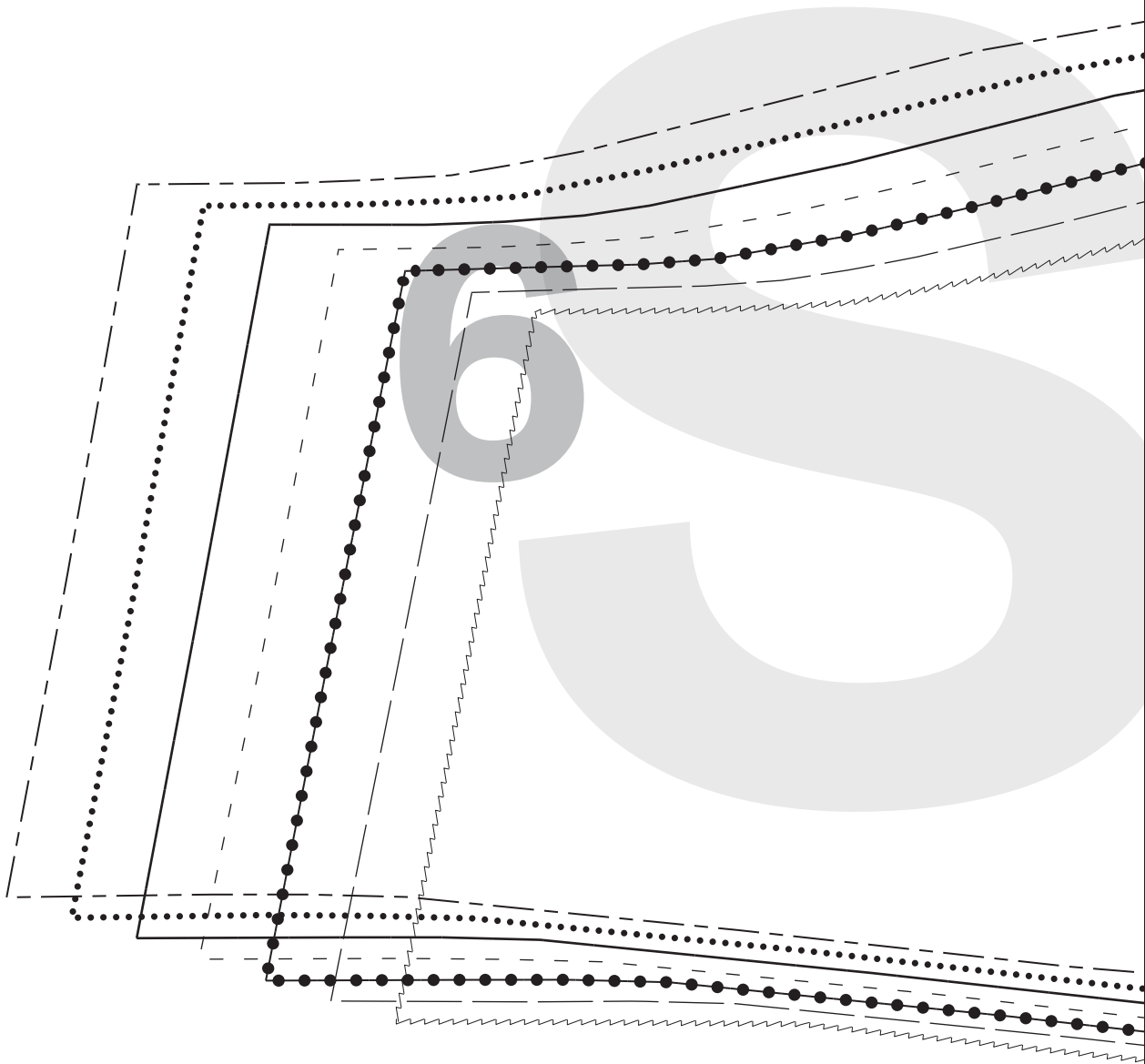
DIY2414

PART 2

BACK

✂ x 2







DIY2414
PART 4
TIEBAND
✂ x 4
INCL. SEAM ALLOWANCE

Free download from



INCL. SEAM ALLOWANCE

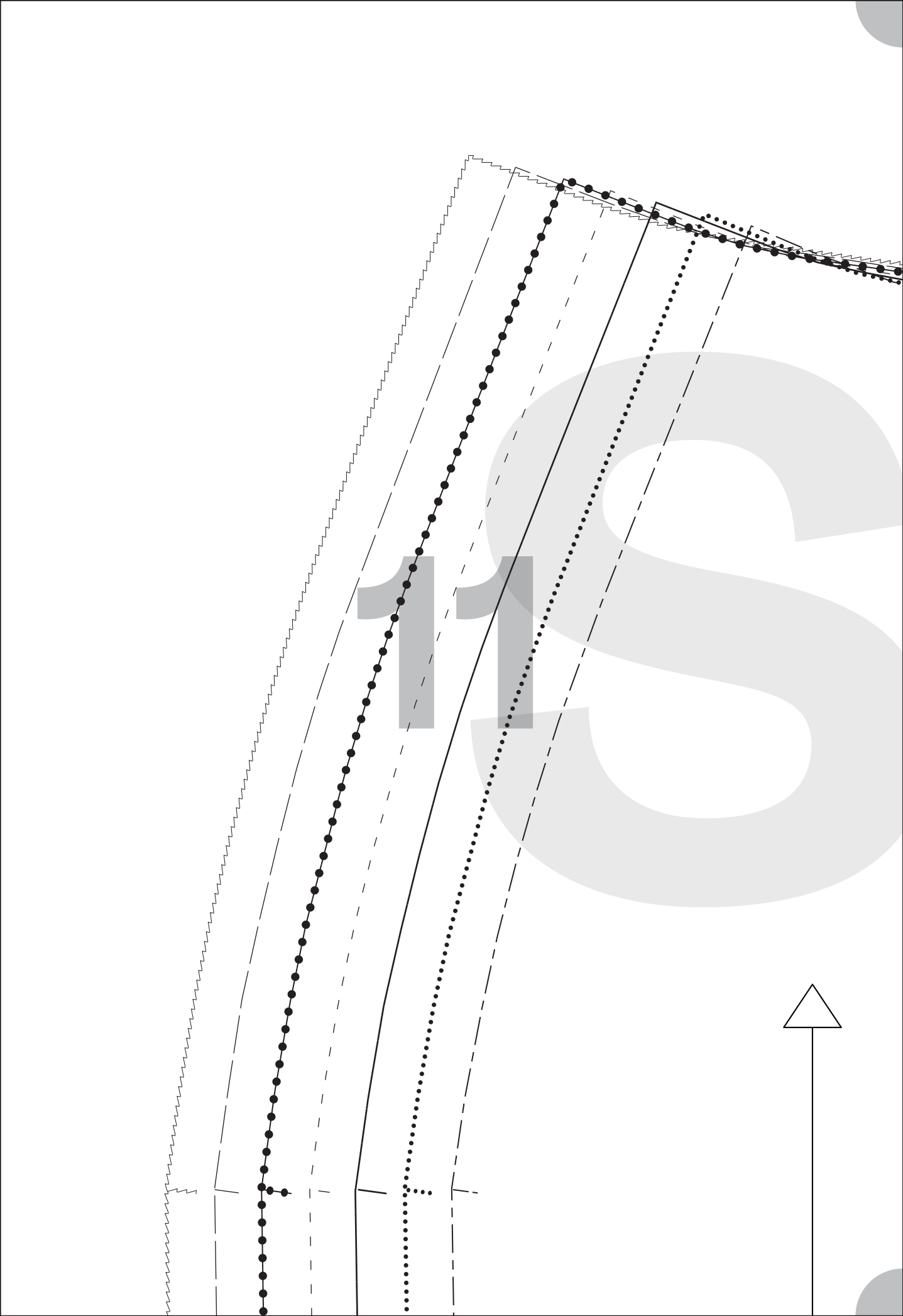


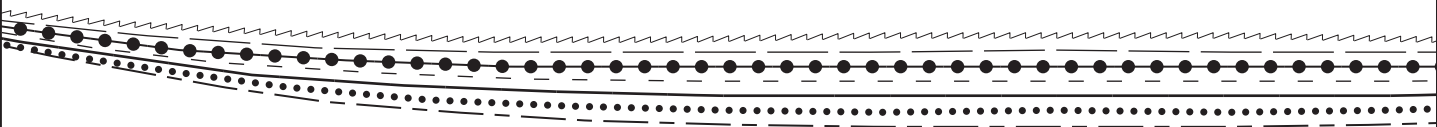
on Selfmade.com

and

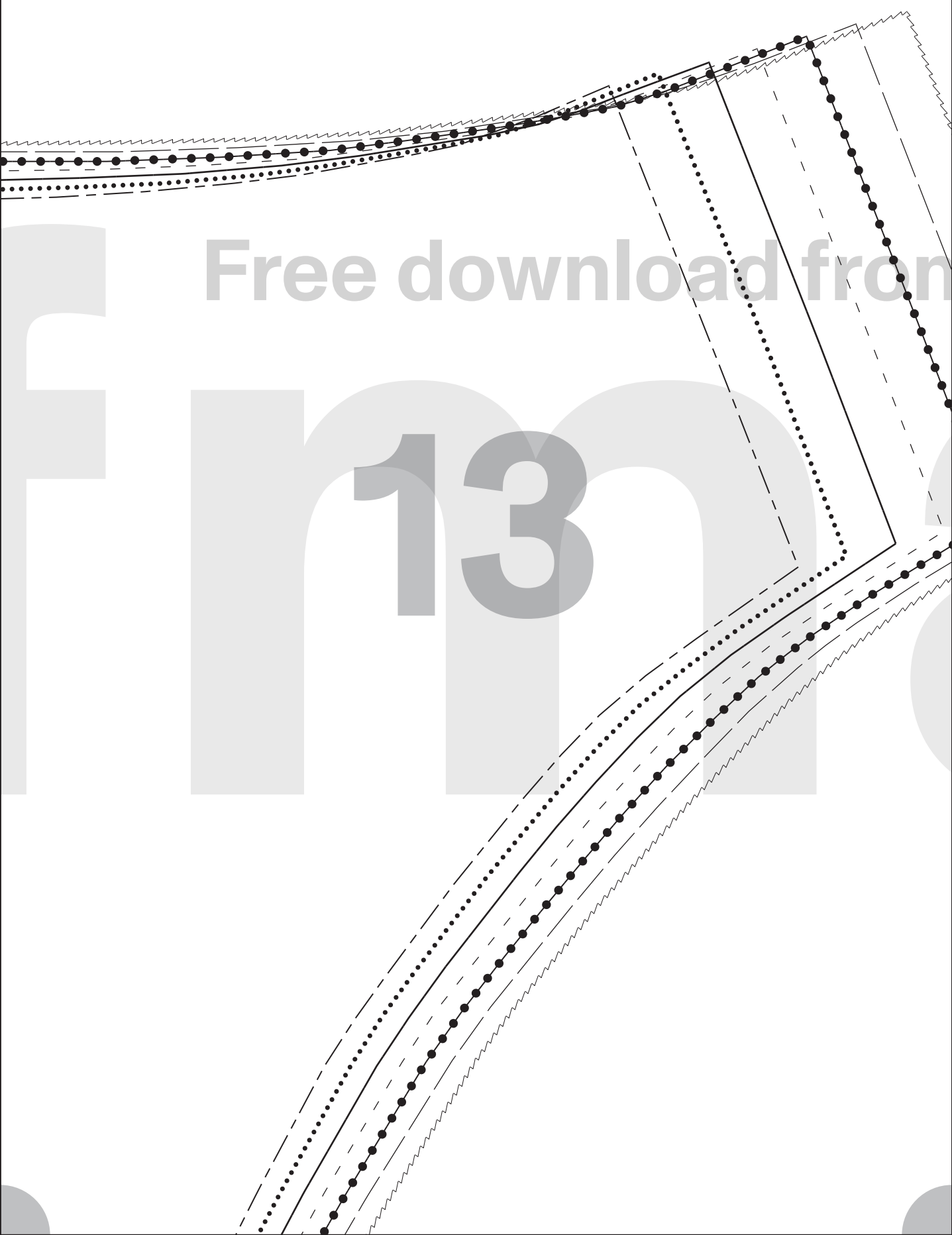


e¹⁰®





e12lf



Free download from

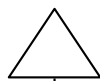
F

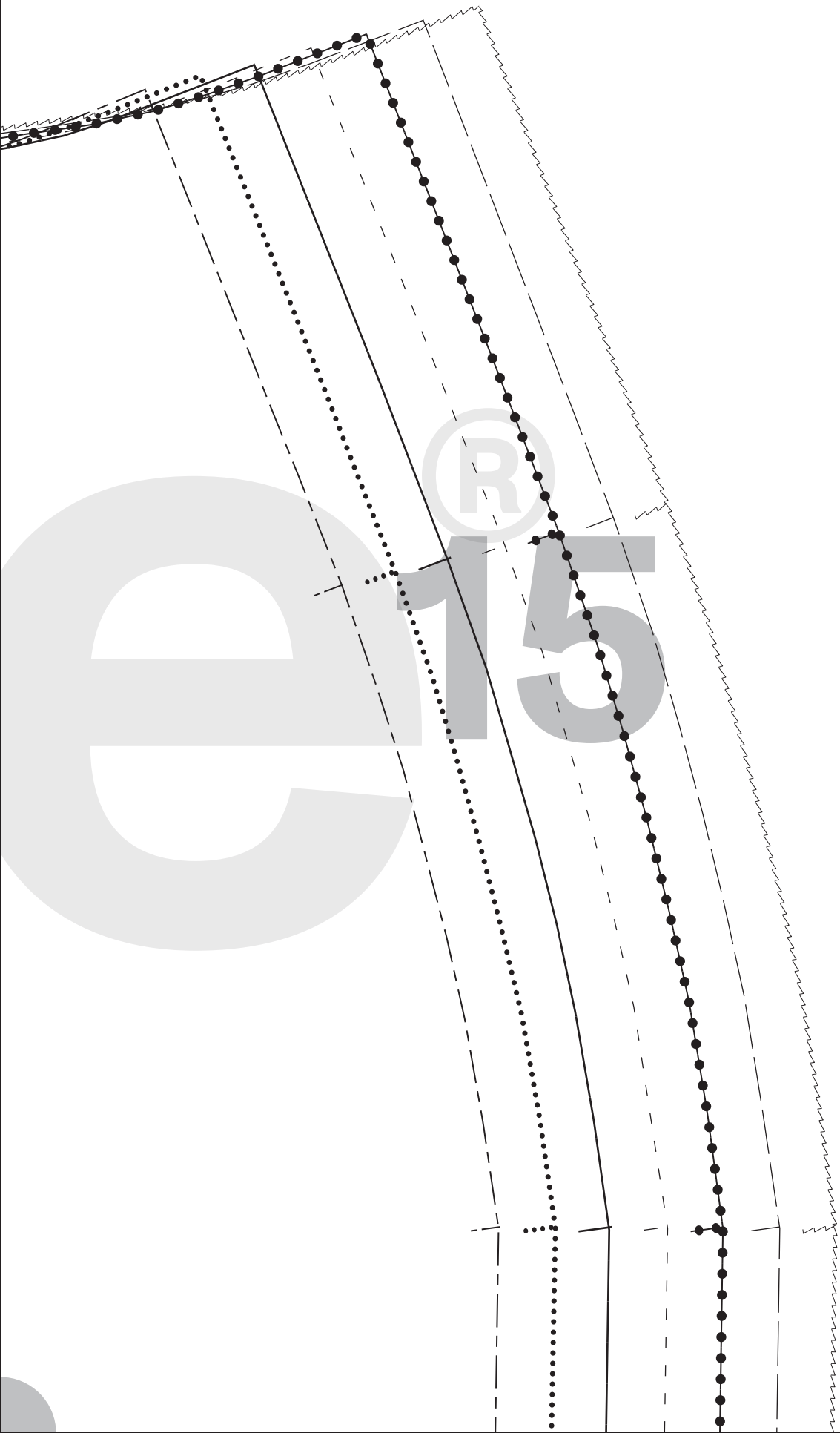
13

0

Selfmade.com

14

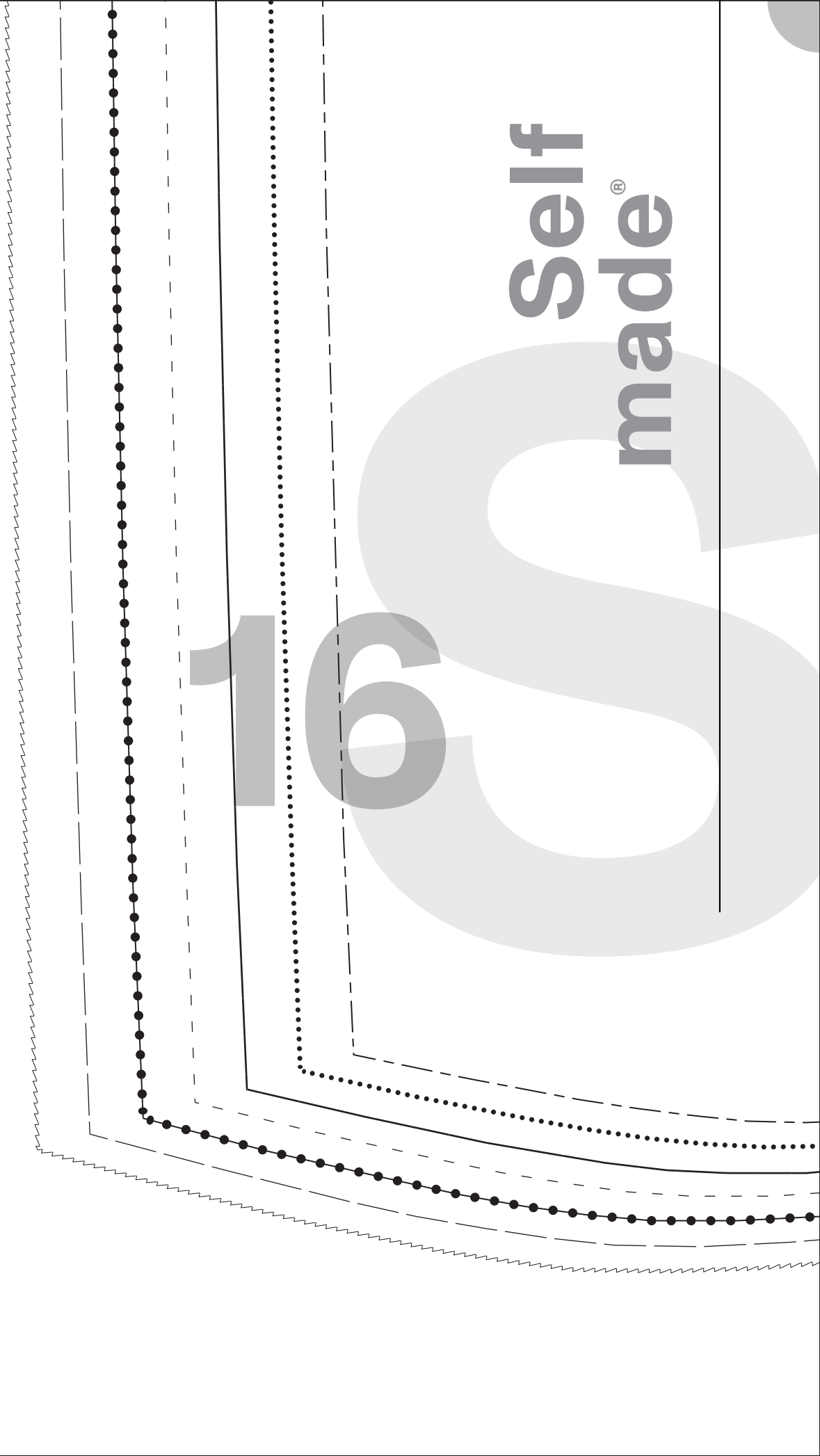




Self
made®

16

S



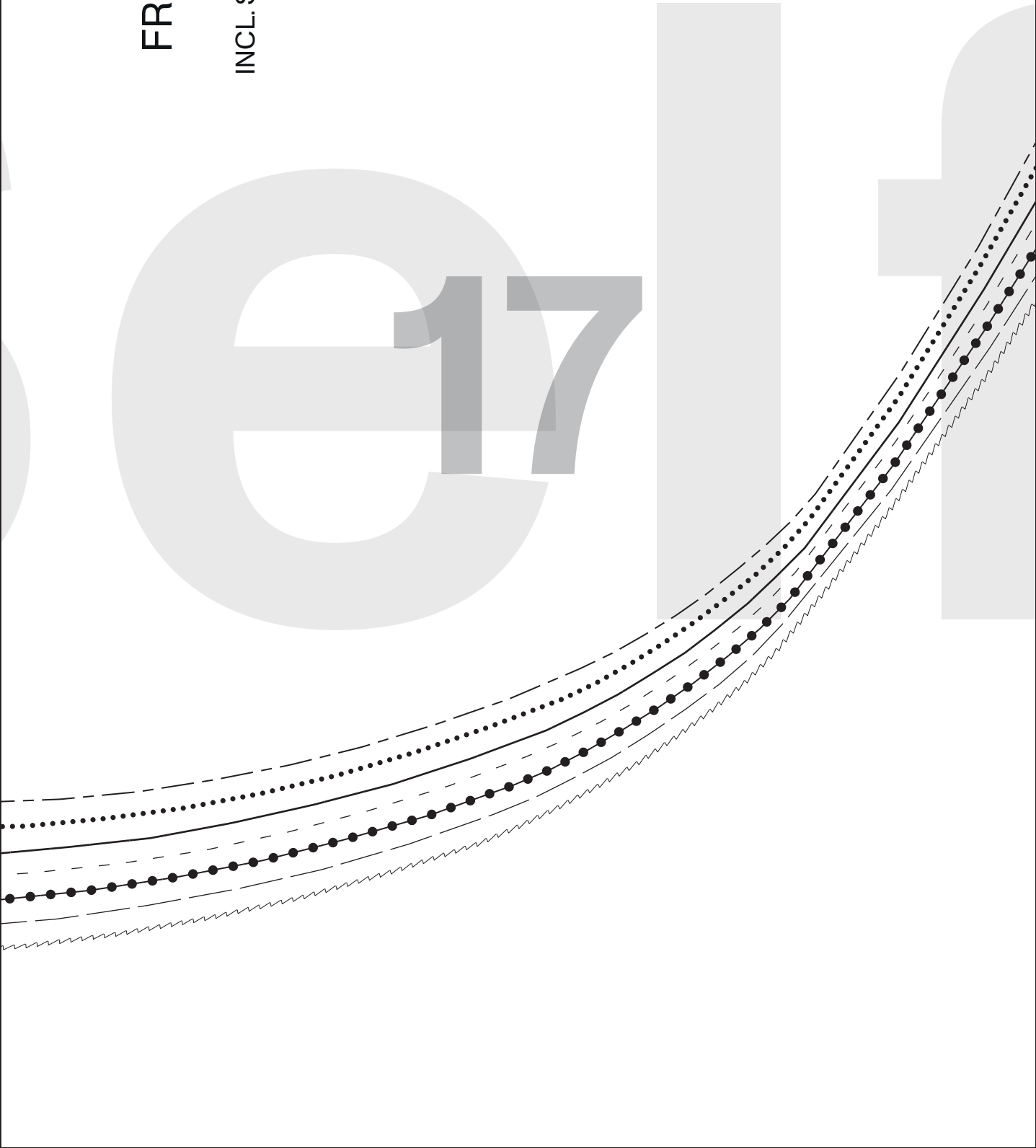
DIY2414

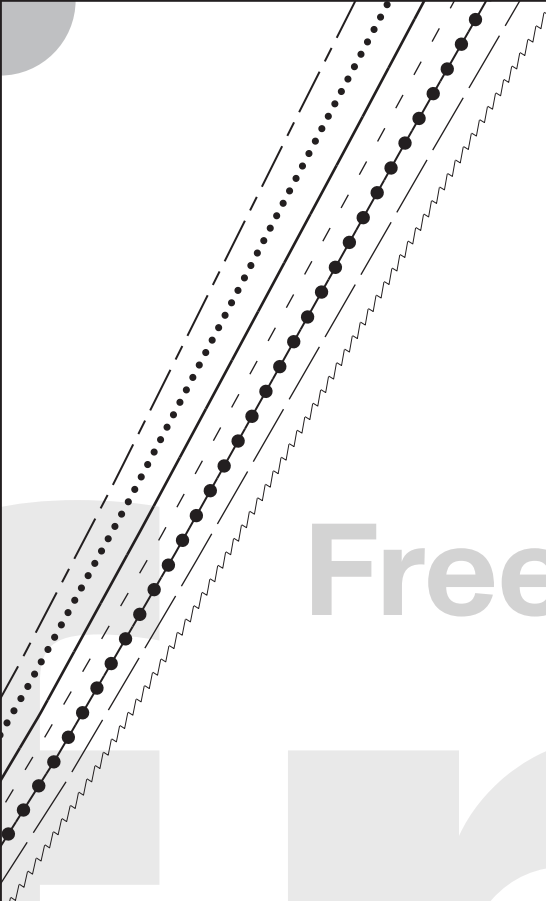
PART 3

FRONT WRAP



INCL. SEAM ALLOWANCE





Free download from

18

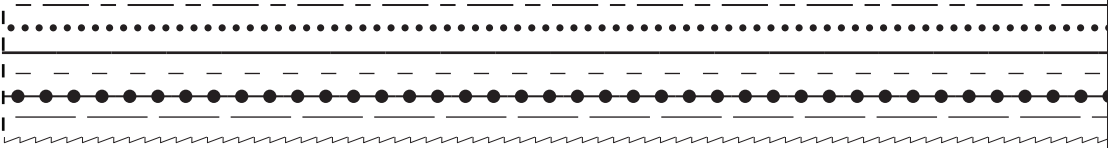
n Selfmade.com

219

FOLDLINE

DIY2414
PART 1
FRONT
✂ x1

INCL. SEAM ALLOWANCE



E20[®]

